

LGP25070075PI-E Grout Injection Station



Copyright©Zhengzhou Lead Equipment Co., Ltd.

Description:



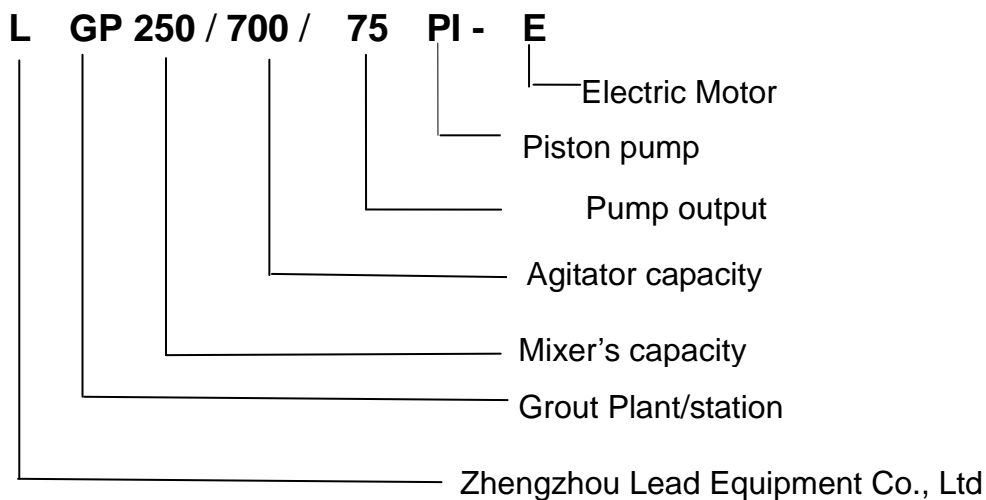
LGP250/700/75PI-E grout station is a combination of mixer, agitator and grout pump in one base frame. It is mainly used to be made bentonite slurry, cement slurry, etc., in the application highway, railway, hydropower, construction, mining and other ground and underground construction.

High speed vortex mixer ensures mix quickly and evenly. Water, cement or bentonite is quickly mixed into a homogeneous slurry. Then the mixed slurry was delivered to the agitator. Grout pump injects from the mixing drum (storage tank). This ensures a continuous mixing and grouting operations. The grouting plant is hydraulic drive with electric motor. Grouting pressure and displacement is adjustable. Compact size and it is easy to operate. It also takes up a small space.

Feature:

- One and Two-oil gear pump to get large output and high pressure in one pump
- Single Piston and two-acting;
- Vertical type pump with compact size
- Hydraulic drive
- Safely releasing pressure when pumping block
- Ball valve
- up to 5mm particle size
- Low flow pressure surge system
- Lower charging material height for mixer
- High-speed Colloidal Grout Mixer

Model Definition



Specification:

Description	Data
Grout Station model	LGP250-700-77PI-E
Dimensions	2710*1100*1820mm
Weight	1060kg
Mixer	
Capacity	250L
Recycling Pump	1100L/min
Suitable water/cement ratio	≥0.5:1
Motor Power	7.5Kw
Rated Rev.	1450rpm
Agitator	
Capacity	700L
Motor model	1.5KW
Rated Rev.	36rpm
Pump(vertical compact hydraulic grout pump, two oil gearbox)	
Output/pressure	Low pressure:0-75L/min,0-50bar High Pressure:0-40L/min, 0-100bar
Power	7.5Kw



Low Charging material height (1.1m)



Heavy-duty Recycling pump

Pressure and output is adjustable



Compact size vertical piston pump with continues flow (low pulse flow)





Zhengzhou Lead Equipment Co., Ltd.

Add: Xisihuan Ring-Road East, Tielu, Xiliu lake sub-district,
Zhongyuan District, Zhengzhou, Henan

Web: <https://www.leadcrete.net> E-Mail: sales@leadcrete.com

TEL.: 86-371-63902781 FAX :+86-371-63526676