

LEC
佰利得机器

ZHENGZHOU LEAD EQUIPMENT CO., LTD.

Add: Xisihuan Ring-Road East, Tielu, Xushui Town, Zhongyuan District, Zhengzhou City, China.

LGP400/700/80PL-E Grout Station for Sale



Description

LGP400/700/80PL-E grout station is a combination of mixer, agitator and grout pump in one plant. It is mainly used in highway, railway, hydropower, construction, mining and other ground and underground construction. High speed vortex mixer ensures mix quickly and evenly. Water, cement and other media are quickly mixed into a homogeneous slurry. Then the mixed slurry was delivered to the agitator. Grout pump injects from the mixing drum (storage tank). This ensures a continuous mixing and grouting operations. The grouting pump is hydraulic drive. Grouting pressure and displacement is stepless adjustable. Compact size and it is easy to operate. It also takes up a small space.

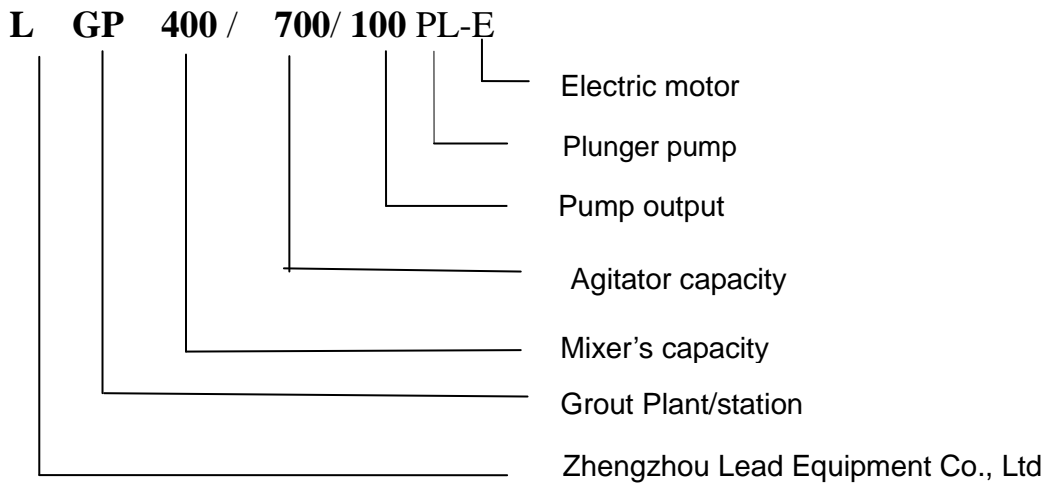
Feature

- Grouting pressure, displacement is stepless adjustable
- Simple structure, light weight, easy maintenance
- Continuous output with small pulse
- Less spare parts ensure low maintenance costs
- High speed vortex mixer ensures mix quickly and evenly.
- Mixer and agitator switch by using squeeze handle, it is safe, reliable and easy to operate
- The motor has an overload protection function. Hydraulic system with oil temperature overheating protection
- With high-speed, low-speed mode, by using ball valve to achieve two-function switch
- With CE, ISO certification

Applications:

- 1. Civil engineering - dam, tunnel, subway, mine, soil nailing wall, curtain, anchor, cable trench and anchor grouting;
- 2. Building structure - building and bridge repair, foundation reinforcement, slope support, soil compaction, terrg grouting;
- 3. Engineering - underwater foundation, offshore platform, coast foundation grouting reinforcement
- 4. Mine application - roadway reinforcement, backfill, waterproof grouting.
- 5. Acted as a grouting plant in the Pipe Jacking Machine

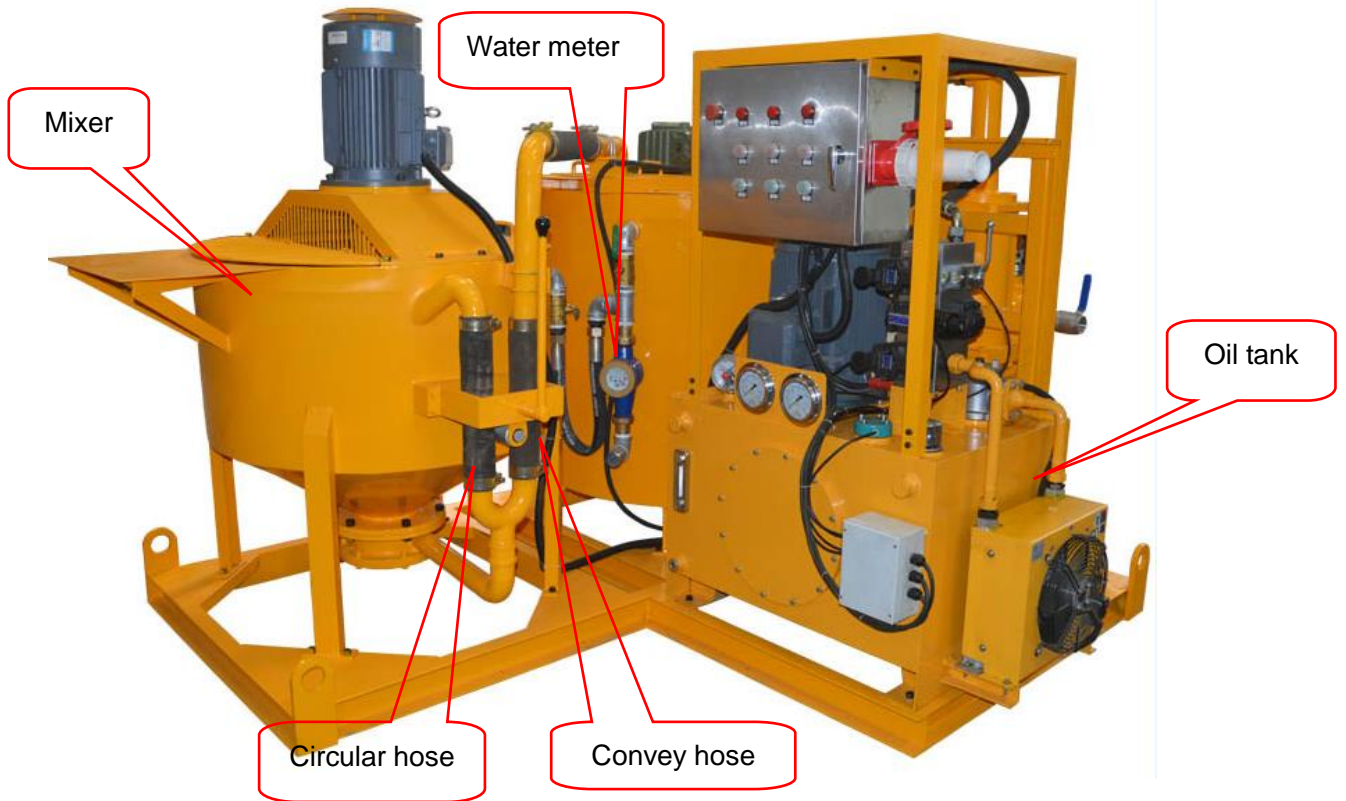
Model Definition

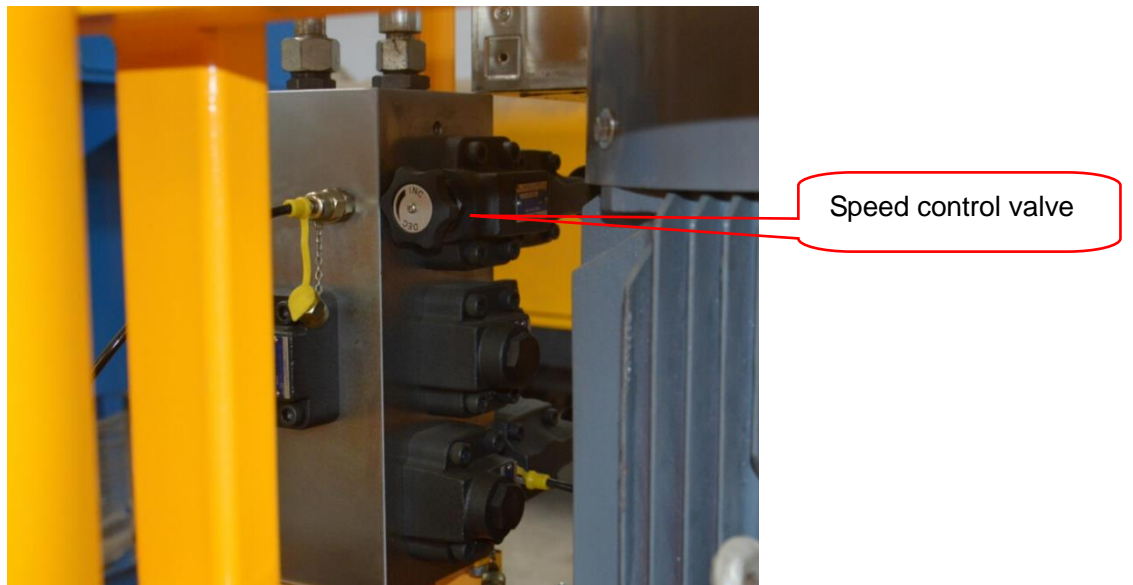
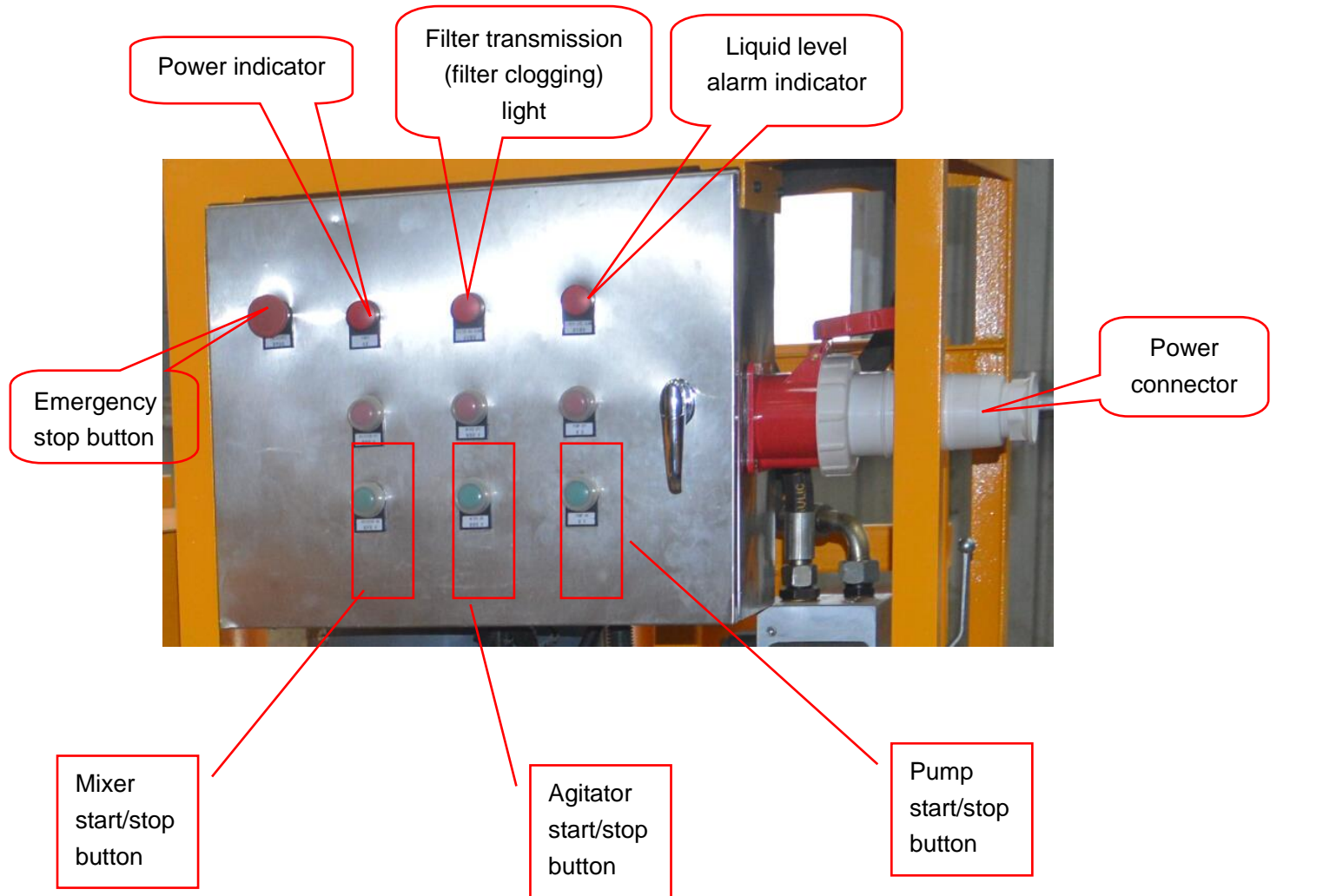


Specification:

Description	Data
Grout Station model	LGP400/700/80PL-E
Dimensions	2500x2200x1730mm
Weight	1350kg
Mixer	
Capacity	500L
Output	6m ³ /h
Power	7.5Kw, 1450rpm,50Hz,380V
Rated Rev	1450rpm
Suitable water/cement ratio	≥0.5:1
Agitator	
Capacity	700L
Rated Rev.	36rpm
Power	1.5KW, 50Hz,380V
Pump	
Pressure/Output	High speed: 0-2.5MPa 0-80L/min Low speed: 0-4.5MPa 0-58L/min
Power	15kw,50Hz,380V

Pictures:







Oil filler

High speed and lower speed switch valve

Return oil filter



Mixer



Agitator

Zhengzhou Lead Equipment Co., Ltd.

Add: No. 30th, Tashan south road, Xingyang, Zhengzhou, Henan, China

Post code: 450000

Tel: 0371-63902781/55019537/55019594

Fax: 0371-63526676

Email: sales@leadcrete.com

Web: www.leadcrete.net