

LGP500700100PI-E Tunnel lining grout plant

Description

LGP500/700/100PI-E Tunnel lining grout plant is a combination of mixer, agitator and grout pump in one plant. It is mainly used in highway, railway, hydropower, construction, mining and other ground and underground construction. High speed vortex mixer ensures mix quickly and evenly. Water, cement and other media are quickly mixed into a homogeneous slurry. Then the mixed slurry was delivered to the agitator. Grout pump injects from the mixing drum (storage tank). This ensures a continuous mixing and grouting operations. The grouting pump is hydraulic drive. Grouting pressure and displacement is stepless adjustable. Compact size and it is easy to operate. It also takes up a small space.



地址 ADD: 郑州市中原区西流湖街道办事处铁炉村西四环东 邮编 P.C.:450042
Xisihuan Ring-Road East, Tielu, Xiliu lake sub-district,
Zhongyuan District, Zhengzhou, Henan

网址 (Web) : <http://www.leadcrete.com> E-Mail: sales@leadcrete.com

电话 TEL : +86-371-63902781 传真 FAX: +86-371-63526676

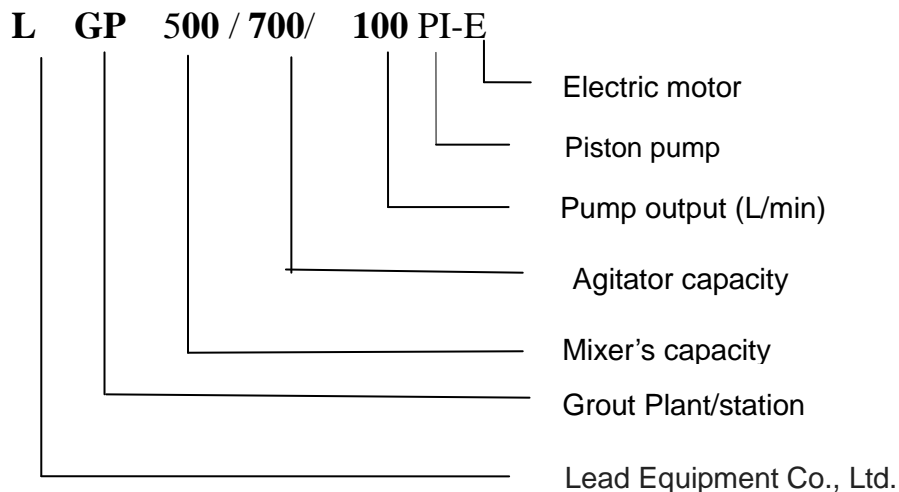
Feature

1. Grouting pressure, displacement is stepless adjustable;
2. Simple structure, light weight, easy maintenance;
3. Double grouting cylinder, continuous output with small pulse;
4. Less spare parts ensure low maintenance costs;
5. High speed vortex mixer ensures mix quickly and evenly;
6. Mixer and agitator switch by using squeeze handle, it is safe, reliable and easy to operate;
7. The motor has an overload protection function. Hydraulic system with oil temperature overheating protection;
8. With CE, ISO certification.

Applications:

- Civil engineering - dam, tunnel, subway, mine, soil nailing wall, curtain, anchor, cable trench and anchor grouting;
- Building structure - building and bridge repair, foundation reinforcement, slope support, soil compaction, terracing grouting;
- Engineering - underwater foundation, offshore platform, coast foundation grouting reinforcement
- Mine application - roadway reinforcement, backfill, waterproof grouting.

Model Definition





郑州佰利得机器制造有限公司

Zhengzhou Lead Equipment Co., Ltd.

地址 ADD: 郑州市中原区西流湖街道办事处铁炉村西四环东
Xisihuan Ring-Road East, Tielu, Xiliu lake sub-district,
Zhongyuan District, Zhengzhou, Henan

邮编 P.C.:450042

网址 (Web): <http://www.leadcrete.com> E-Mail: sales@leadcrete.com

电话 TEL: +86-371-63902781 传真 FAX: +86-371-63526676

Specification:

Description	Data
Grout Station model	LGP500/700/100PI-E
Dimensions	2700×1750×1650mm
Weight	1440kg
Mixer	
Capacity	500L
Output	7m ³ /h
Power	7.5Kw, 1450rpm, 50Hz, 380V
Rated Rev	1450rpm
W/C ratio	≥0.5:1
Agitator	
Capacity	700L
Rated Rev.	36rpm
Power	1.5KW, 50Hz, 380V
Pump	
Output	0-100L/min
Pressure	0-5MPa
Power	15kw, 50Hz, 380V



郑州佰利得机器制造有限公司

Zhengzhou Lead Equipment Co., Ltd.

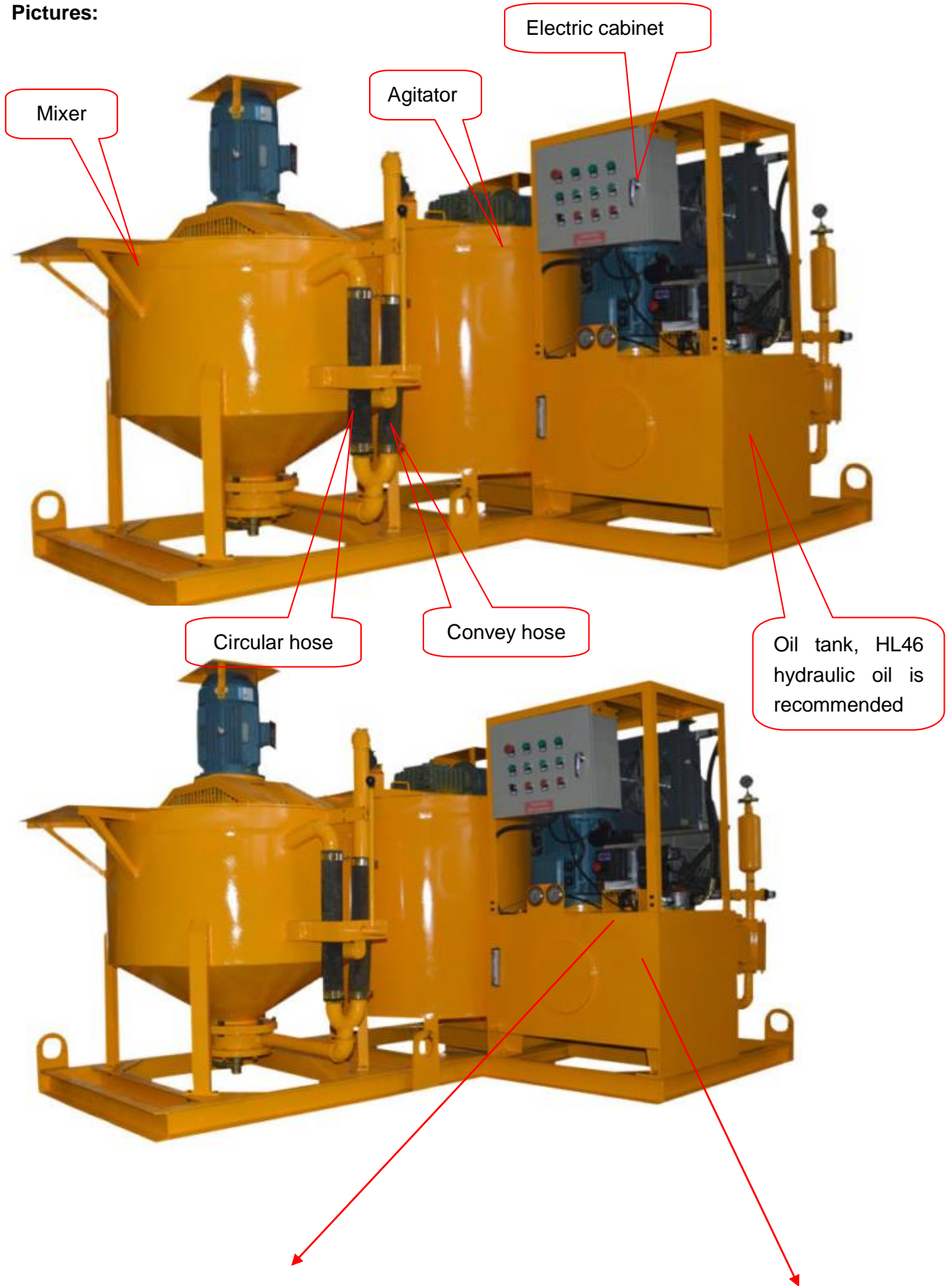
地址 ADD: 郑州市中原区西流湖街道办事处铁炉村西四环东
Xisihuan Ring-Road East, Tielu, Xiliu lake sub-district,
Zhongyuan District, Zhengzhou, Henan

邮编 P.C.:450042

网址 (Web): <http://www.leadcrete.com> E-Mail: sales@leadcrete.com

电话 TEL: +86-371-63902781 传真 FAX: +86-371-63526676

Pictures:





郑州佰利得机器制造有限公司

Zhengzhou Lead Equipment Co., Ltd.

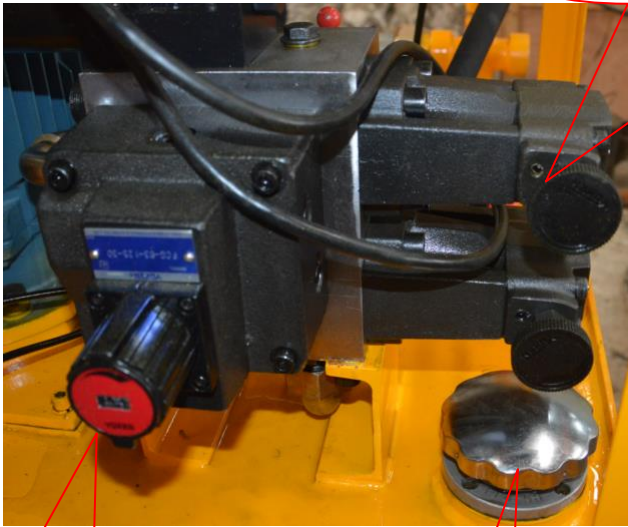
地址 ADD: 郑州市中原区西流湖街道办事处铁炉村西四环东
Xisihuan Ring-Road East, Tielu, Xiliu lake sub-district,
Zhongyuan District, Zhengzhou, Henan

邮编 P.C.: 450042

网址 (Web): <http://www.leadcrete.com> E-Mail: sales@leadcrete.com

电话 TEL: +86-371-63902781 传真 FAX: +86-371-63526676

Pressure regulating valve, adjust the grouting pressure, Clockwise increase and counterclockwise reduce



Speed control valve, Adjust the grouting displacement, Clockwise reduce and counterclockwise increase

Oil adding part

Relief valve, it is set well in the factory and do not turn.

Handle in vertical state, pump in working condition. Backward rotation to a horizontal position, the pump does not work.

