

LGP8001200130H-E Big output grout plant



Description

LGP800/1200/130H-E big output grout plant is a combination of mixer, agitator and hose pump in one plant. High output grout plant is mainly used for highways, railways, water and electricity, construction, mining etc. ground and underground construction. High speed vortex mixer ensures mix quickly and evenly. Water, cement and other media are quickly mixed into homogeneous slurry. Then the mixed slurry was delivered to the agitator. Grout hose pump injects from the mixing drum (storage tank). This ensures a continuous mixing and grouting operations.

地址 ADD: 郑州市中原区西流湖街道办事处铁炉村西四环东
Xisihuan Ring-Road East, Tielu, Xiliu lake sub-district,
Zhongyuan District, Zhengzhou, Henan

邮编 P.C.:450042

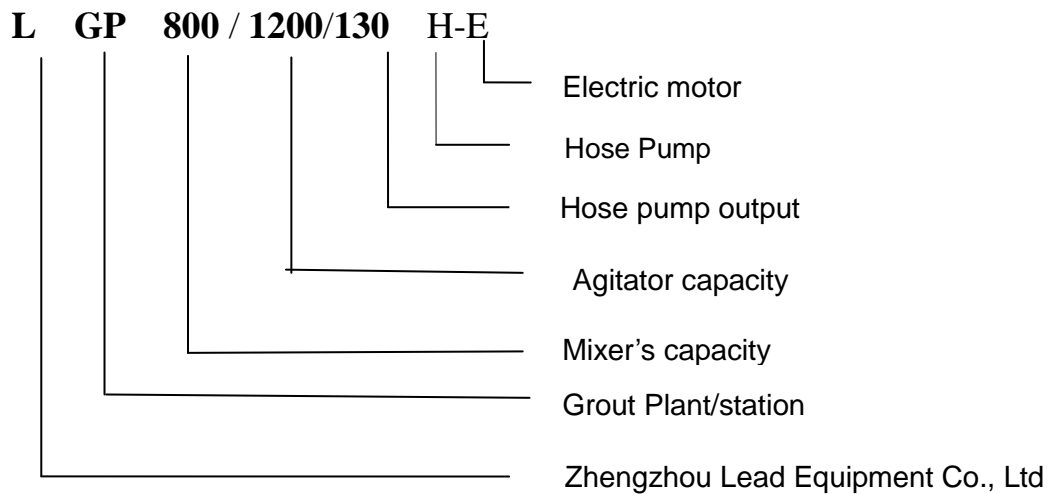
网址 (Web) :<https://www.leadcrete.com> E-Mail: sales@leadcrete.com

电话 TEL.:+86-371-63902781 传真 FAX:+86-371-63526676

Feature

1. Flow of this high capacity grout station is adjustable.
2. Squeeze hose pump of grout unit, hose is the only spare part. It is easy to operate and maintenance.
3. Our big output grout plant for sale is with CE ISO etc. certification.
4. Our grout plants is imported electrical components, it is safe and reliable.
5. High-power and high-speed eddy current pulping, it is fast and evenly.
6. Butterfly connection mixer and agitator, flexible switching.
7. High volume grout station is compact size, it is combination of mixer, agitator and squeeze hose pump and power in one base frame.

Model Definition





郑州佰利得机器制造有限公司

Lead Equipment Co., Ltd.

地址 ADD: 郑州市中原区西流湖街道办事处铁炉村西四环东
Xisihuan Ring-Road East, Tielu, Xiliu lake sub-district,
Zhongyuan District, Zhengzhou, Henan

邮编 P.C.:450042

网址 (Web): <https://www.leadcrete.com> E-Mail: sales@leadcrete.com

电话 TEL.:+86-371-63902781 传真 FAX:+86-371-63526676

Specification:

Description	Data
Grout Station type	LGP800/1200/130H-E
Dimensions	2900*1920*1860mm
Weight	1770kg
Mixer	
Capacity	800L
Power	15Kw
Rated Rev	1500rpm
Suitable water/cement ratio	≥0.5
Mixer type	high-speed eddy current pulping
Agitator	
Capacity	1200L
Rated Rev.	36rpm
Power	2.2Kw
Squeeze hose pump	
Model	LH65-680B
Output	30-130L/min
Power	7.5Kw
Working pressure	1.5MPa



郑州佰利得机器制造有限公司

Lead Equipment Co., Ltd.

地址 ADD: 郑州市中原区西流湖街道办事处铁炉村西四环东
Xisihuan Ring-Road East, Tielu, Xiliu lake sub-district,
Zhongyuan District, Zhengzhou, Henan

邮编 P.C.:450042

网址 (Web): <https://www.leadcrete.com> E-Mail: sales@leadcrete.com

电话 TEL.:+86-371-63902781 传真 FAX:+86-371-63526676

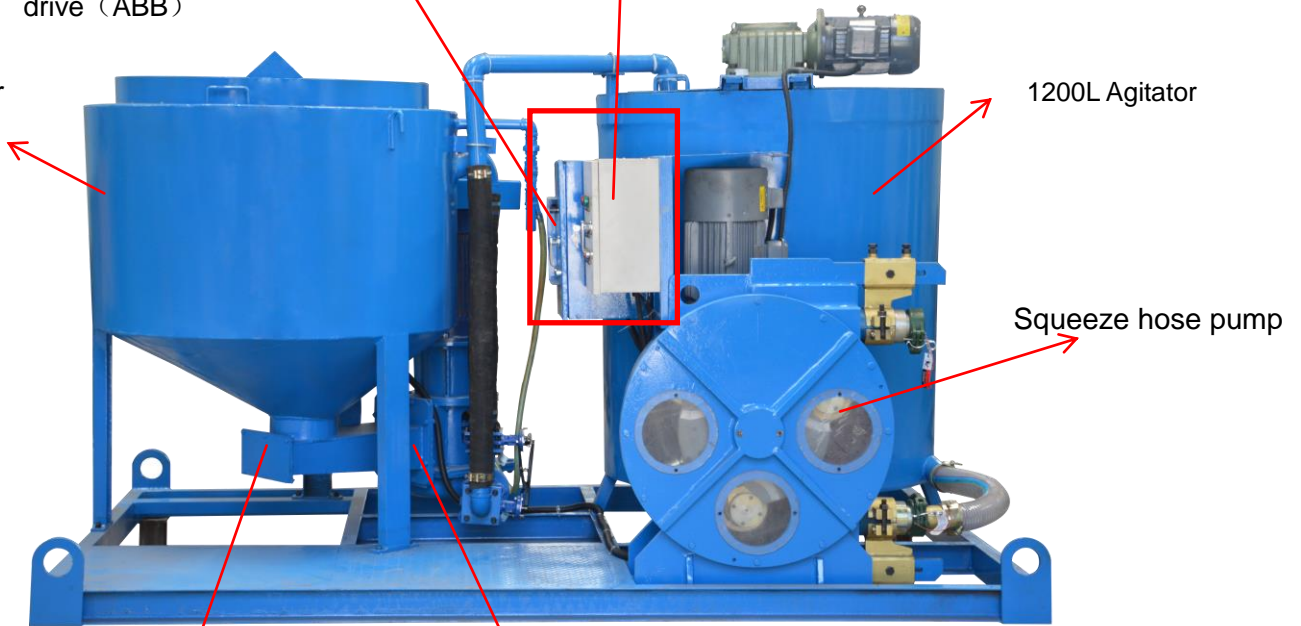


LH65 squeeze hose pump drive (ABB)

For mixer and Agitator electrical control box

800L Mixer

1200L Agitator



Squeeze hose pump

Cleaning port

Mixer pump





郑州佰利得机器制造有限公司

Lead Equipment Co., Ltd.

地址 ADD: 郑州市中原区西流湖街道办事处铁炉村西四环东
Xisihuan Ring-Road East, Tielu, Xiliu lake sub-district,
Zhongyuan District, Zhengzhou, Henan

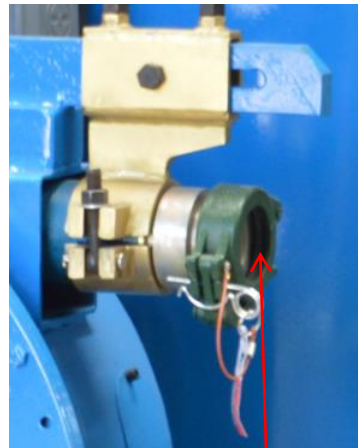
邮编 P.C.:450042

网址 (Web): <https://www.leadcrete.com> E-Mail: sales@leadcrete.com

电话 TEL.:+86-371-63902781 传真 FAX:+86-371-63526676

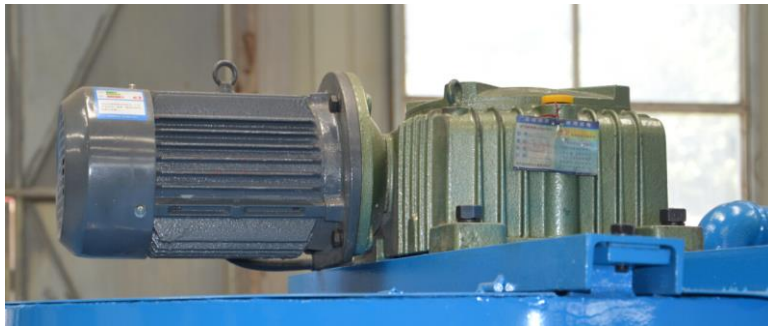


Quick pipe clamp, pressure
tightness, good sealing



Squeeze part dial





Agitator motor and reducer

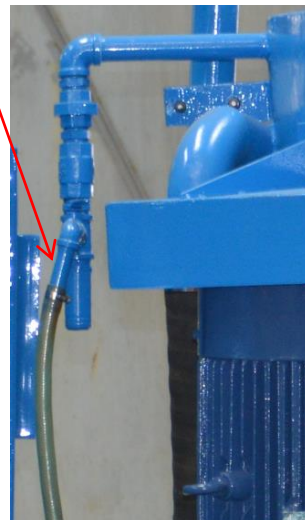


Bag cut

Agitator shaft



Add water part

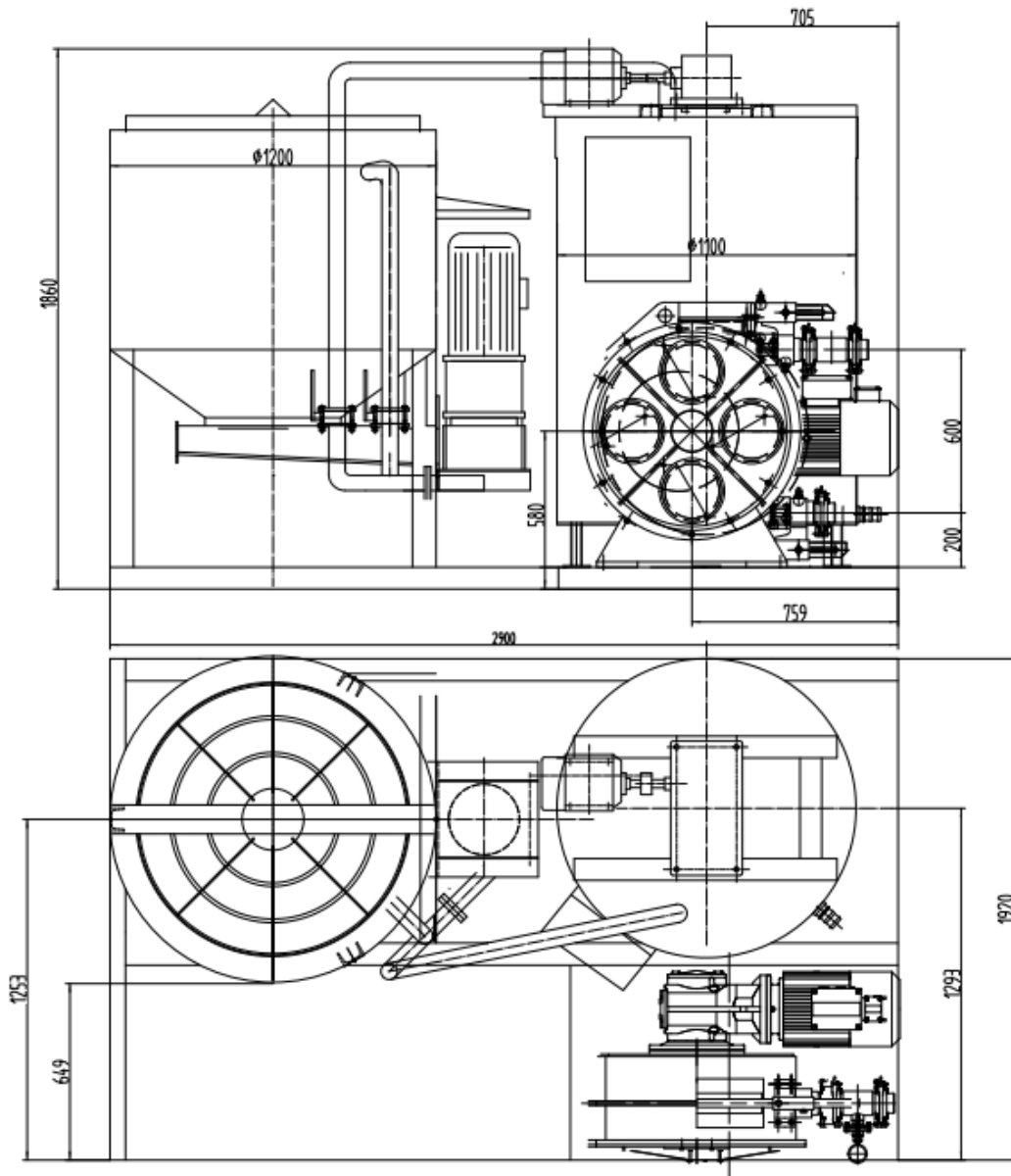


地址 ADD: 郑州市中原区西流湖街道办事处铁炉村西四环东
Xisihuan Ring-Road East, Tielu, Xiliu lake sub-district,
Zhongyuan District, Zhengzhou, Henan

邮编 P.C.:450042

网址 (Web): <https://www.leadcrete.com> E-Mail: sales@leadcrete.com

电话 TEL.:+86-371-63902781 传真 FAX:+86-371-63526676





郑州佰利得机器制造有限公司

Lead Equipment Co., Ltd.

地址 ADD: 郑州市中原区西流湖街道办事处铁炉村西四环东
Xisihuan Ring-Road East, Tielu, Xiliu lake sub-district,
Zhongyuan District, Zhengzhou, Henan

邮编 P.C.:450042

网址 (Web): <https://www.leadcrete.com> E-Mail: sales@leadcrete.com

电话 TEL.:+86-371-63902781 传真 FAX:+86-371-63526676

郑州佰利得机器制造有限公司

Zhengzhou Lead Equipment Co., Ltd

Tel: 0371-63902781

Fax: 0371-63526676

Email: sales@leadcrete.com

Web: www.leadcrete.com