

LH32-330SR Single roller peristaltic hose pump

Description

LH32-330SR Single roller peristaltic hose pump, different with foreign press shoe structure, single roller design reduce number of hose squeezing, extend the hose service life. Usually single circulation flow is larger than conventional press shoe design.

Based on different characteristic pumping materials, Leadcrete hose pump could provide NR, NBR and EPDM different materials squeeze hose.

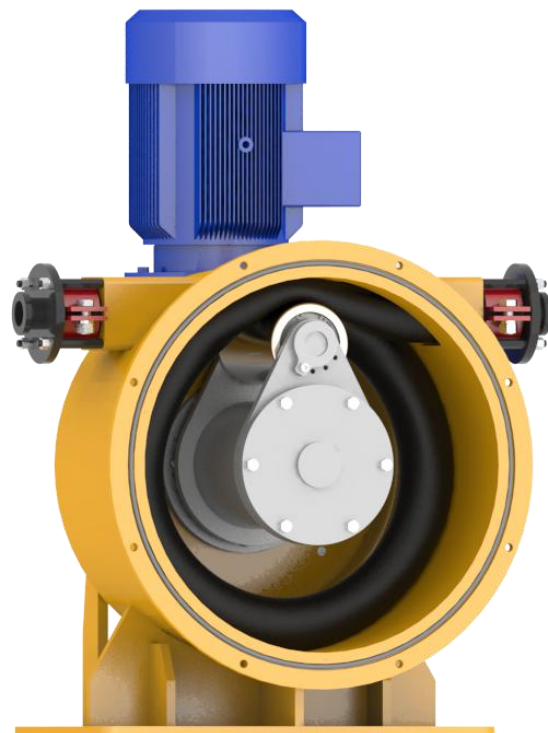


Application

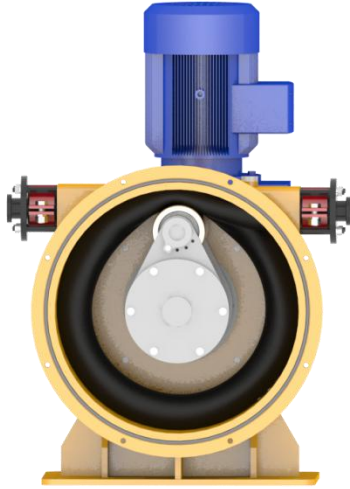
Compared with other type pump, hose pump have many wide application fields.

Such as:

- Construction.
- Water and Waste Treatment
- Papermarking
- Mining
- Ceramic and Glass
- Food and Beverage
- Textile Mill



Working Principle



When the rotor unit drives single roller to rotate, hose is squeezed and deformed. After the roller rotate, the deformed hose recover by its elasticity. Thus the negative pressure in this hose is generated, sucking slurries, and discharging through output under rollers' push, finally forms pressure conveying of slurries.

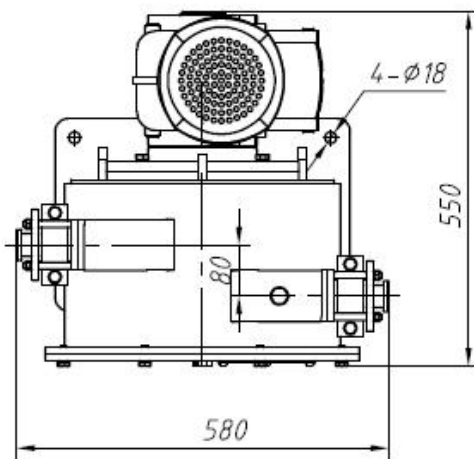
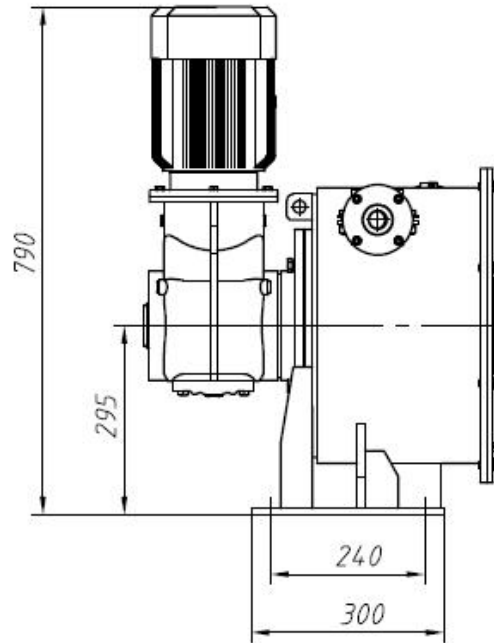
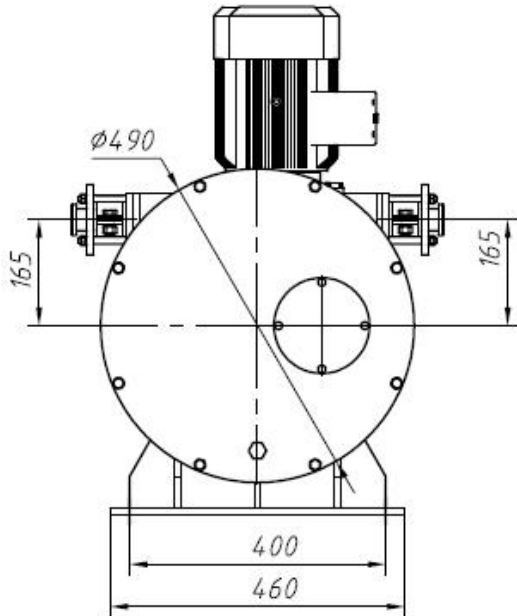
Product Feature

- No valve, no seal;
- Simple structure, easy maintenance;
- Only hose contact with pumping materials;
- Reversibility, convenient for emptying the pipeline or clearing blockages;
- Single roller reduce number of hose squeezing, extend the hose service life;
- Single circulation flow is larger than conventional press shoe design;

Technical Data

Model	LH32-330SR
Output	1200L/h
Working Pressure	10bar
Squeeze hose ID	32mm
Rotate Speed	30rpm
Motor Power	3Kw, IP55
Voltage	380V, 50HZ, 3phase, customized
Dimension	580x550x790mm

Construction and dimensions



Zhengzhou Lead Equipment Co., Ltd.

Add: Xisihuan Ring-Road East, Tielu, Xiliu lake sub-district, Zhongyuan District, Zhengzhou, Henan

P.C.: 450042

Tel: +86-371-63902781 Fax: +86-371-63526676

Email: sales1@leadcrete.com

Web: www.leadcrete.net

WhatsApp/Wechat: +86-18538591025