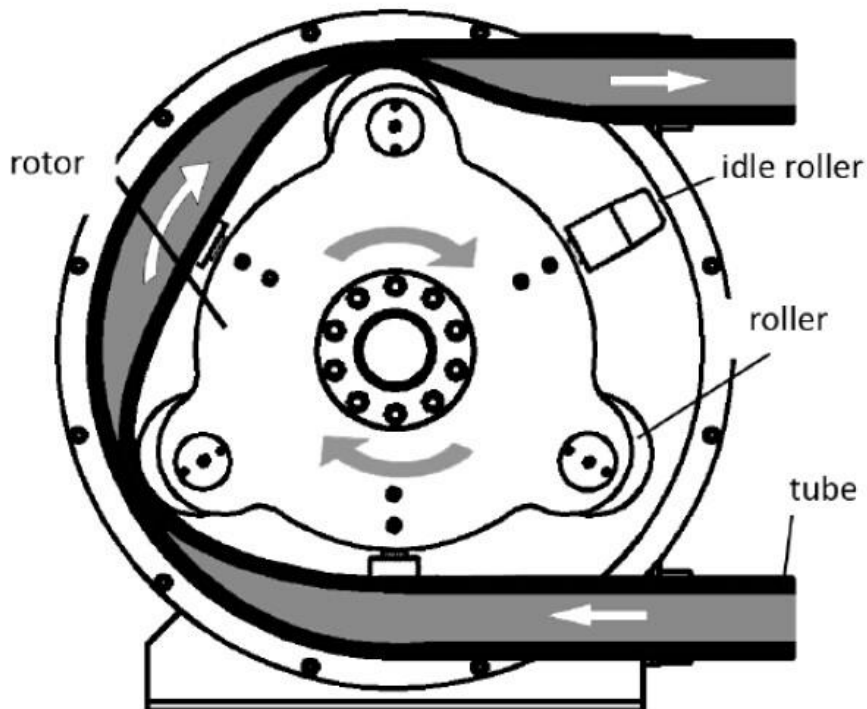


LH32-450C Peristaltic Hose Pump for Sale

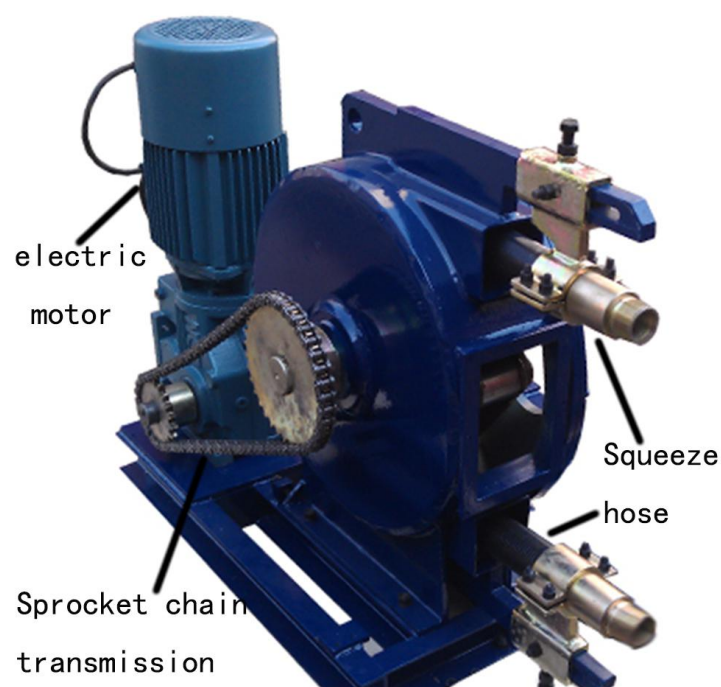
Working principle:

LEC heavy-duty industries hose pump is a kind of peristaltic pump. An elastomeric tube is squeezed along a length by rollers that push the fluid contained within. The tube's restitution after squeezing produces a vacuum that draws fluid continuously into the tube. This creates a gentle pumping action that doesn't cause any damage to the product. Contaminations are avoided because the fluid is contained within the tube. The pump employs a rotor with rollers mounted on it that continually compress and occlude some portion of the tube. This action moves the fluid through the tube with a constant rate of displacement for each revolution of the rotor, enabling a precise measurement of the volume of fluid pumped through the tube.



Pump Features:

- Reversibility
- Seallessness and valveless
- Abrasion resistance
- Self priming with high suction
- With 1% repeat precision
- Corrosion-resistant
- Easy to clean
- Can run dry without damage
- Peristaltic tube is the only consumption part





郑州佰利得机器制造有限公司

Zhengzhou Lead Equipment Co., Ltd.

地址 ADD: 郑州市中原区西流湖街道办事处铁炉村西四环东
Xisihuan Ring-Road East, Tielu, Xiliu lake sub-district,
Zhongyuan District, Zhengzhou, Henan

邮编 P.C.:450042

网址 (Web) :<http://www.leadcrete.com> E-Mail: sales@leadcrete.com

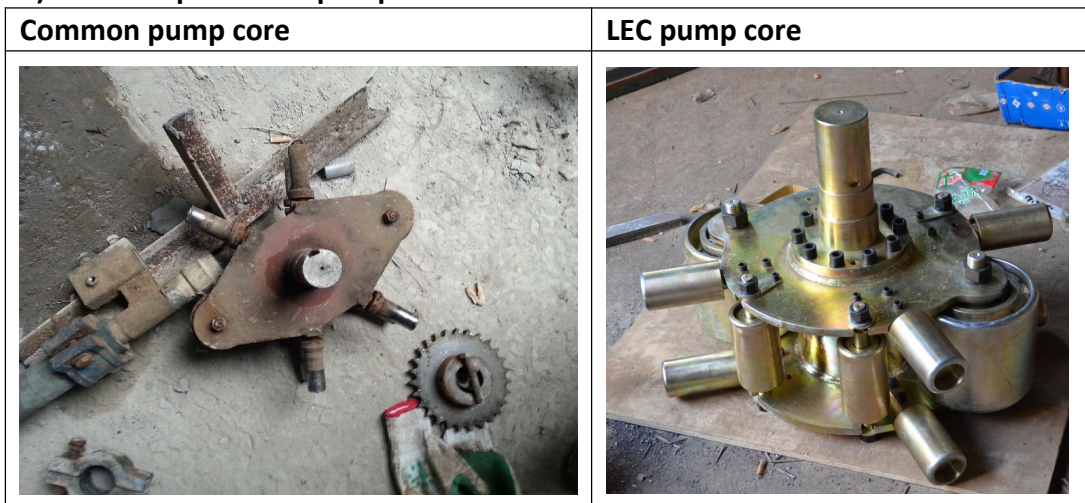
电话 TEL : +86-371-63902781 传真 FAX:+86-371-63526676

LH32 Hose Pump Specification:

Type	LH32-450C
Max. ouput	30L/min (at 0.3Mpa, 50HZ)
Rotation	36RPM
Squeeze hose ID	32mm
Max. pressure	1.5Mpa
Voltage	3 phase, 380V, 50HZ
Power	3KW

Pictures:

1) the comparison of pump core



地址 ADD: 郑州市中原区西流湖街道办事处铁炉村西四环东
Xisihuan Ring-Road East, Tielu, Xiliu lake sub-district,
Zhongyuan District, Zhengzhou, Henan

邮编 P.C.:450042

网址 (Web): <http://www.leadcrete.com> E-Mail: sales@leadcrete.com

电话 TEL: +86-371-63902781 传真 FAX: +86-371-63526676

2) There are three types squeeze hose for choose

Chinese squeeze hose	Trelleborg squeeze hose	Enviroflex squeeze hose
		

3) The transmission type



A- cycloidal pinwheel reducer gear box



B- spiral bevel gear (SEW series)



C- sprocket chain transmission

4) LH32-450C pump in difference angles



郑州佰利得机器制造有限公司

Zhengzhou Lead Equipment Co., Ltd.

地址 ADD: 郑州市中原区西流湖街道办事处铁炉村西四环东
Xisihuan Ring-Road East, Tielu, Xiliu lake sub-district,
Zhongyuan District, Zhengzhou, Henan

邮编 P.C.:450042

网址 (Web): <http://www.leadcrete.com> E-Mail: sales@leadcrete.com

电话 TEL: +86-371-63902781 传真 FAX: +86-371-63526676



地址 ADD: 郑州市中原区西流湖街道办事处铁炉村西四环东
Xisihuan Ring-Road East, Tielu, Xiliu lake sub-district,
Zhongyuan District, Zhengzhou, Henan

邮编 P.C.:450042

网址 (Web): <http://www.leadcrete.com> E-Mail: sales@leadcrete.com

电话 TEL: +86-371-63902781 传真 FAX: +86-371-63526676

5) LH32-450C hose pump applied in metro project





郑州佰利得机器制造有限公司

Zhengzhou Lead Equipment Co., Ltd.

地址 ADD: 郑州市中原区西流湖街道办事处铁炉村西四环东 邮编 P.C.:450042
Xisihuan Ring-Road East, Tielu, Xiliu lake sub-district,
Zhongyuan District, Zhengzhou, Henan

网址 (Web): <http://www.leadcrete.com> E-Mail: sales@leadcrete.com

电话 TEL: +86-371-63902781 传真 FAX: +86-371-63526676

Zhengzhou Lead Equipment Co., Ltd.

Add: Xisihuan Ring-Road East, Tielu, Xiliu lake sub-district,
Zhongyuan District, Zhengzhou, Henan

Web: <http://www.leadcrete.com> E-Mail: sales@leadcrete.com

TEL: +86-371-63902781 FAX: +86-371-63526676