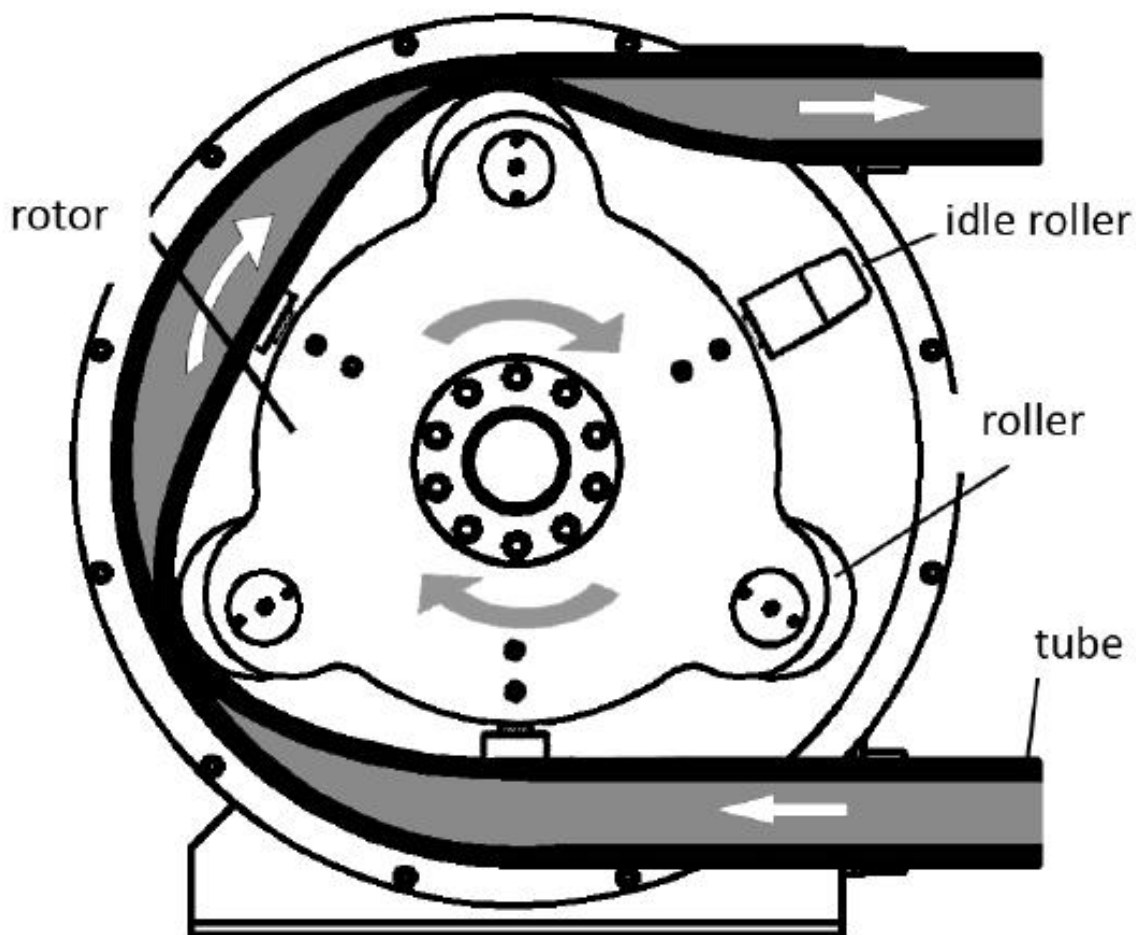


LH76-770B Oil Sludge and Slurries Peristaltic Hose Pump

Working principle:

LEC heavy-duty industries hose pump is a kind of peristaltic pump. An elastomeric tube is squeezed along a length by rollers that push the fluid contained within. The tube's restitution after squeezing produces a vacuum that draws fluid continuously into the tube. This creates a gentle pumping action that doesn't cause any damage to the product. Contaminations are avoided because the fluid is contained within the tube. The pump employs a rotor with rollers mounted on it that continually compress and occlude some portion of the tube. This action moves the fluid through the tube with a constant rate of displacement for each revolution of the rotor, enabling a precise measurement of the volume of fluid pumped through the tube.





郑州佰利得机器制造有限公司

Zhengzhou Lead Equipment Co., Ltd.

地址 ADD: 郑州市中原区西流湖街道办事处铁炉村西四环东 邮编 P.C.:450042
Xisihuan Ring-Road East, Tielu, Xiliu lake sub-district,
Zhongyuan District, Zhengzhou, Henan

网址 (Web) : <http://www.leadcrete.com> E-Mail: sales@leadcrete.com

电话 TEL : +86-371-63902781 传真 FAX: +86-371-63526676

Pump Features:

- Reversibility
- No seals, no valves
- Abrasion resistance
- Corrosion-resistant
- Self priming with high suction
- With 1% repeat precision
- Easy to clean
- Dry-running without damage
- Peristaltic tube is the only consumption part



LH76-770B Hose Pump Specification:

Type	LH76-770B
Max. ouput	300L/min or 18m ³ /h (at 0.5Mpa, 50HZ)
Rotation	35RPM
Squeeze hose ID	76mm
Max. pressure	1.5 Mpa
Voltage	3 phase, 380V, 50HZ anti-explosion electric motor



郑州佰利得机器制造有限公司

Zhengzhou Lead Equipment Co., Ltd.

地址 ADD: 郑州市中原区西流湖街道办事处铁炉村西四环东
Xisihuan Ring-Road East, Tielu, Xiliu lake sub-district,
Zhongyuan District, Zhengzhou, Henan

邮编 P.C.:450042



网址 (Web): <http://www.leadcrete.com> E-Mail: sales@leadcrete.com

电话 TEL: +86-371-63902781 传真 FAX: +86-371-63526676

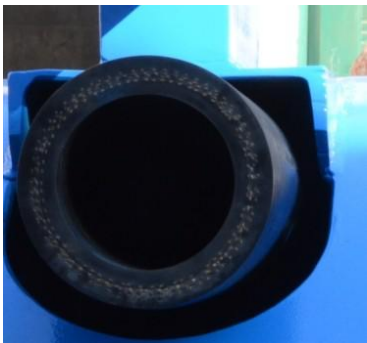


Power	15KW
-------	------

Pictures:

1) the comparison of pump core

Common pump core	LEC pump core
	

2) There are three types squeeze hose for choose

Chinese squeeze hose	Trelleborg squeeze hose	Enviroflex squeeze hose
		

3) The transmission type



A- cycloidal pinwheel reducer gear box



B- spiral bevel gear (SEW series)

C- sprocket chain transmission



4) LH76-770B pump in difference angles



郑州佰利得机器制造有限公司

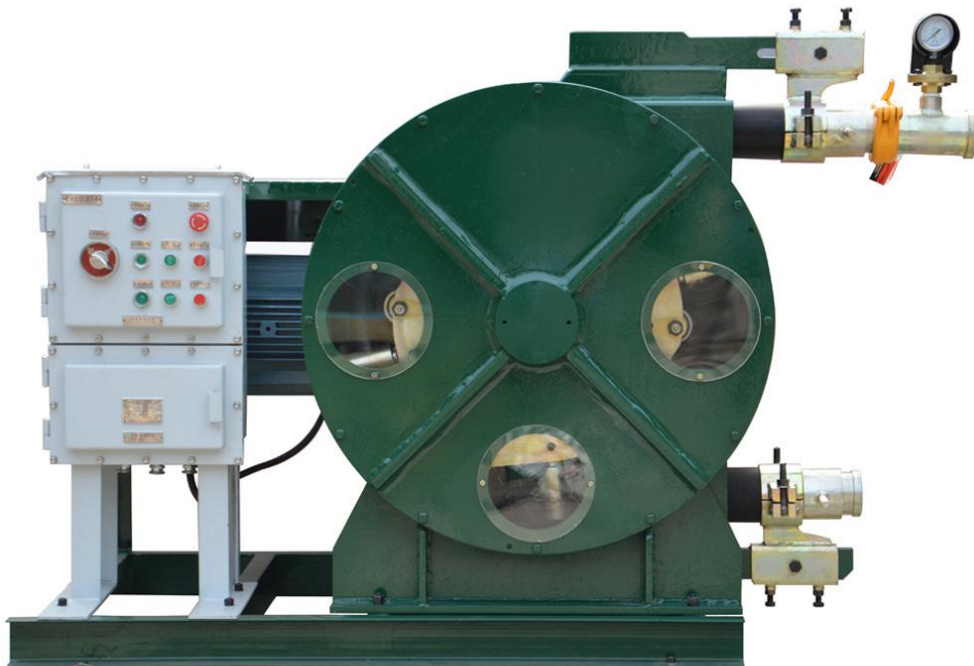
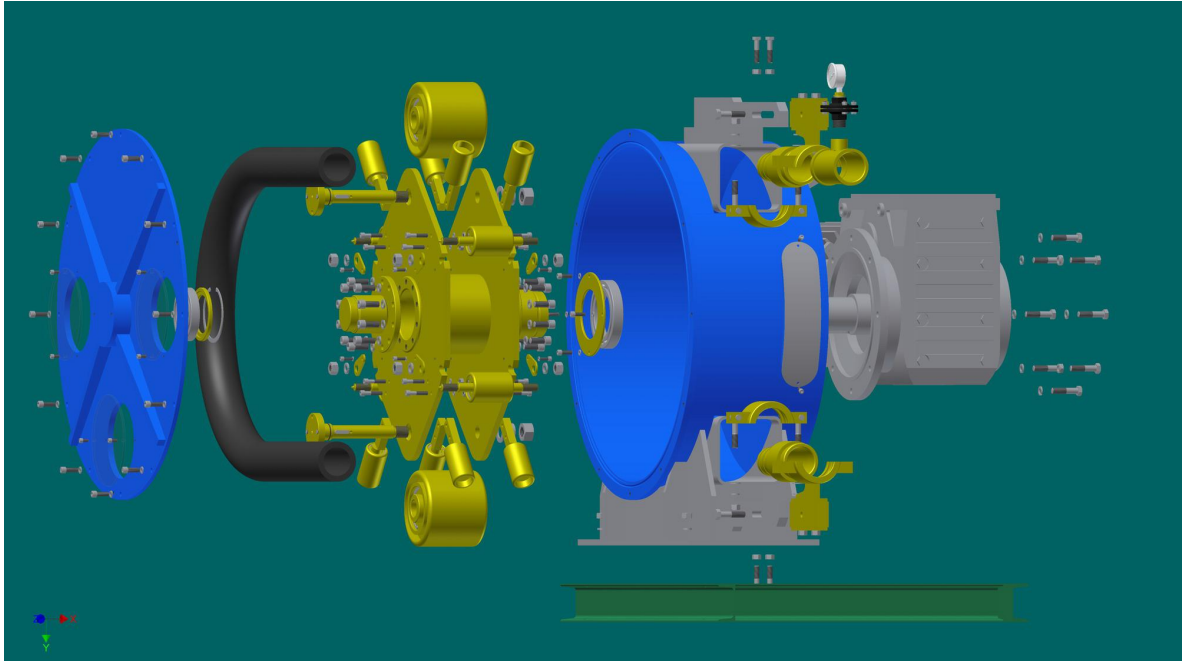
Zhengzhou Lead Equipment Co., Ltd.

地址 ADD: 郑州市中原区西流湖街道办事处铁炉村西四环东
Xisihuan Ring-Road East, Tielu, Xiliu lake sub-district,
Zhongyuan District, Zhengzhou, Henan

邮编 P.C.:450042

网址 (Web) :<http://www.leadcrete.com> E-Mail: sales@leadcrete.com

电话 TEL : +86-371-63902781 传真 FAX: +86-371-63526676





郑州佰利得机器制造有限公司

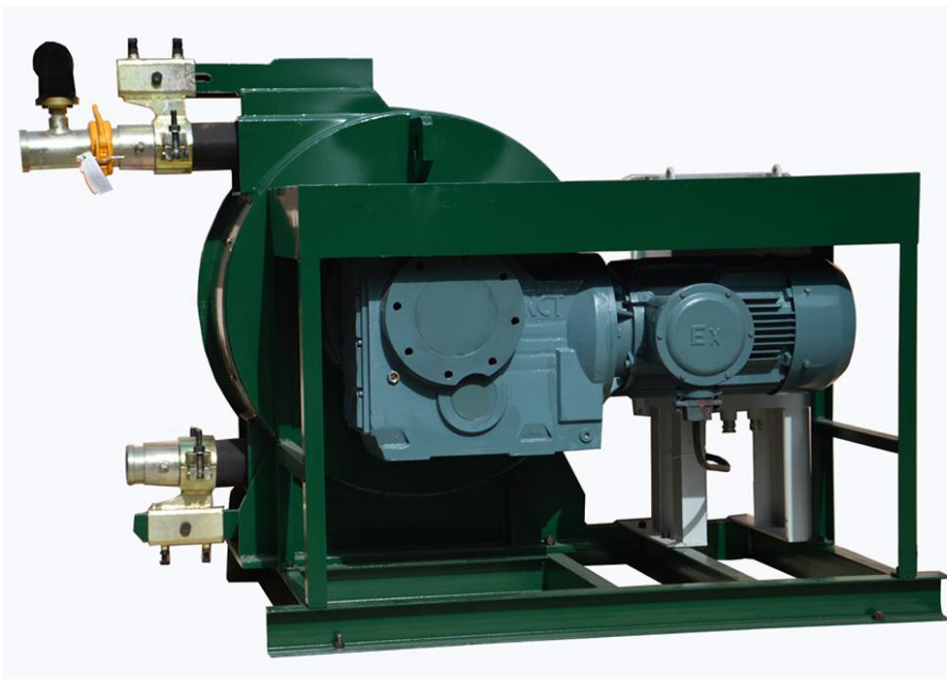
Zhengzhou Lead Equipment Co., Ltd.

地址 ADD: 郑州市中原区西流湖街道办事处铁炉村西四环东
Xisihuan Ring-Road East, Tielu, Xiliu lake sub-district,
Zhongyuan District, Zhengzhou, Henan

邮编 P.C.:450042

网址 (Web): <http://www.leadcrete.com> E-Mail: sales@leadcrete.com

电话 TEL: +86-371-63902781 传真 FAX: +86-371-63526676





郑州佰利得机器制造有限公司

Zhengzhou Lead Equipment Co., Ltd.

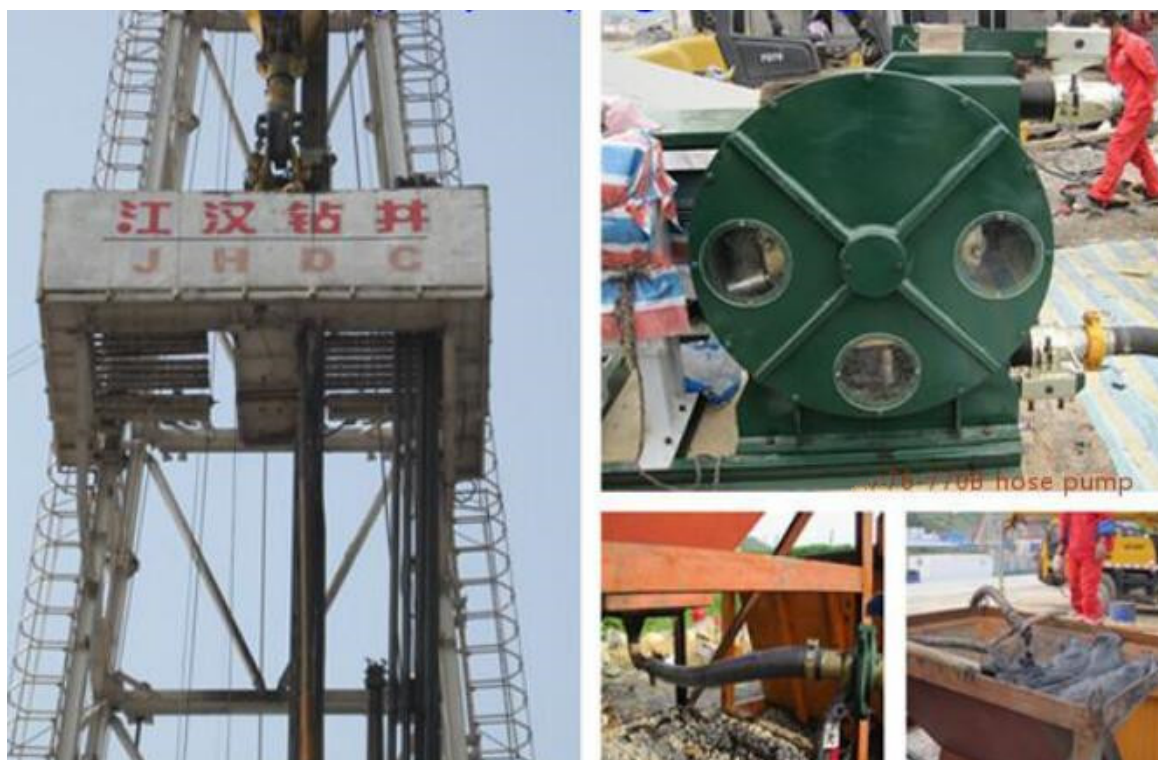
地址 ADD: 郑州市中原区西流湖街道办事处铁炉村西四环东
Xisihuan Ring-Road East, Tielu, Xiliu lake sub-district,
Zhongyuan District, Zhengzhou, Henan

邮编 P.C.:450042

网址 (Web): <http://www.leadcrete.com> E-Mail: sales@leadcrete.com

电话 TEL: +86-371-63902781 传真 FAX: +86-371-63526676

5) LH76-770B hose pumps are pumping oil sludge and slurries in shale gas project



Zhengzhou Lead Equipment Co., Ltd.

Add: Xisihuan Ring-Road East, Tielu, Xiliu lake sub-district,
Zhongyuan District, Zhengzhou, Henan

Web: <http://www.leadcrete.com> E-Mail: sales@leadcrete.com

TEL: +86-371-63902781 FAX: +86-371-63526676