

LZC-15/D High-capacity mobile shotcrete equipment



◆ Product Description

The LZC-15/D is a high-capacity mobile shotcrete equipment engineered for tunnel and underground construction. It seamlessly integrates a 15 m³/h shotcrete pump, a 2.5 m³ mixing hopper, and a 26.9 kW YANMAR 3TNV88-BDTC diesel engine onto a single unified base — mounted on wheels with a trailer chassis for effortless site mobility.

Designed as a fully mechanized solution, the LZC-15/D delivers high-speed concrete spraying directly onto rock walls, replacing traditional manual shotcrete methods with superior efficiency, consistency, and safety.

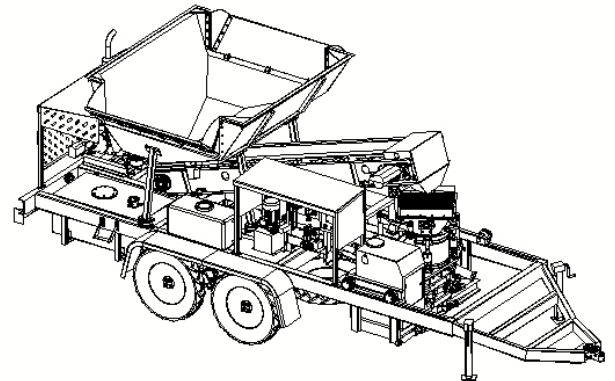
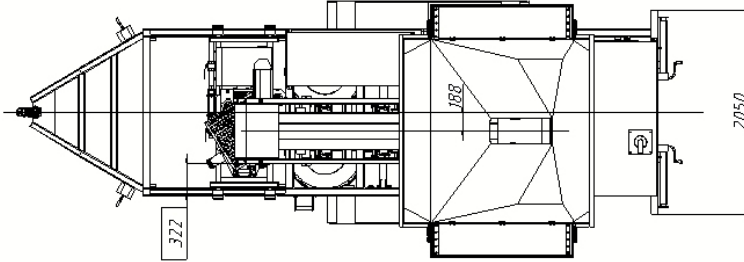
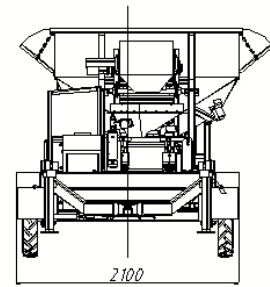
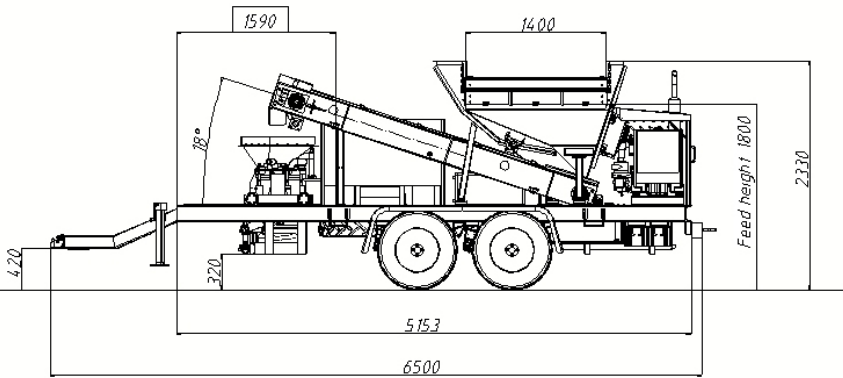
◆ Product Feature

1. Equipped with a 2.5 m³ material hopper, which improves production efficiency and reduces operating costs.
2. Simplified control system enables easy operation, quick training and reliable performance.
3. Adopts a simplified unit design to ensure critical operating uptime, as well as convenient maintenance and troubleshooting.
4. Features an open-design rear-mounted engine for easy maintenance.
5. The whole machine is integrated on a trailer chassis for convenient transportation.
6. Designed with centralized lubrication points to enhance equipment maintainability.
7. Equipped with a water spray system for dust control in extremely dry environments or when handling highly dry materials.
8. The trailer is fitted with brake lights, marker lights, turn signals, license plate lights and reflectors, making it suitable for night-time operation..

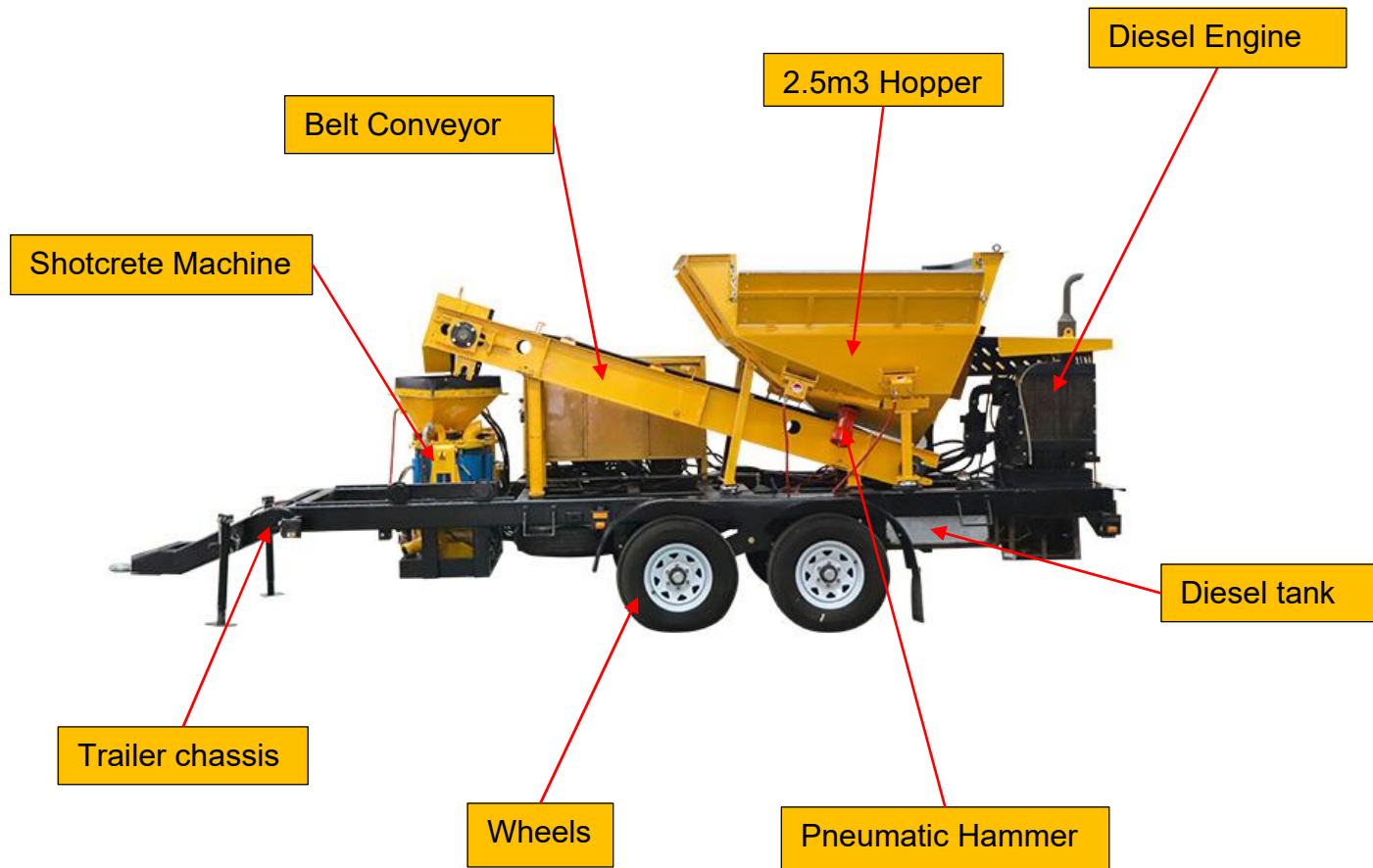
◆ **Product Specification**

Name		Data
Model		LZC-15/D
Diesel engine	Model	YANMAR-3TNV88-BDTYC
	Power	26.9KW@3000rpm
Shotcrete machine	Output	15m ³ /h
	Recommended hose sizes(mm)	ID64
	Max.Aggregate size	20mm
Hopper Capacity		2.5m ³
Dimension		6500×2100×2330mm
Weight		3600Kg
We can also customize products according to your needs.		

◆ Dimension

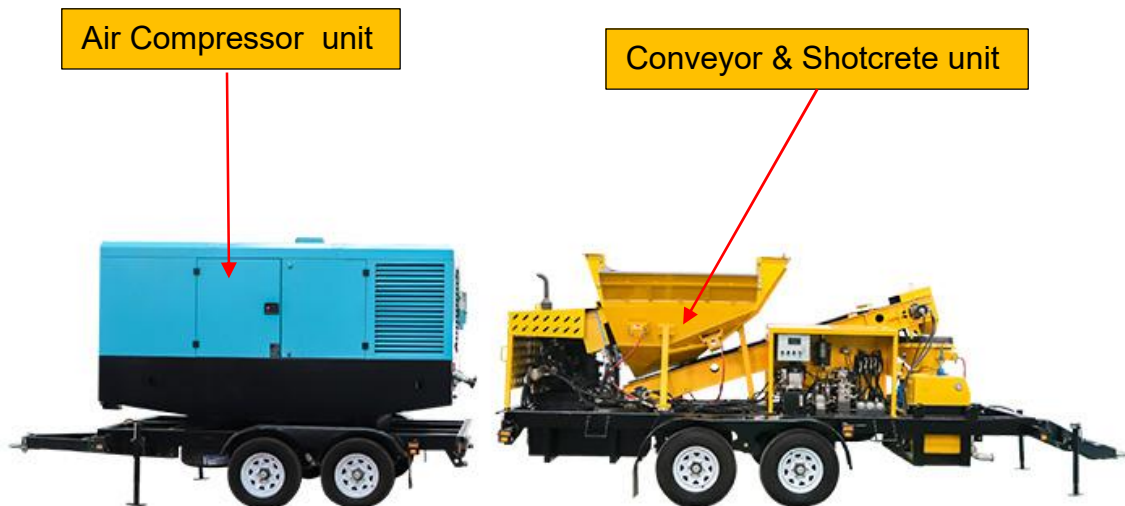


◆ Detail Part









Zhengzhou Lead Equipment Co., Ltd.

Add: Xisihuan Ring-Road East, Tielu, Xiliu lake sub-district, Zhongyuan District,
Zhengzhou, Henan

P.C.: 450042

Web: www.leadcrete.net

Email: sales1@leadcrete.com